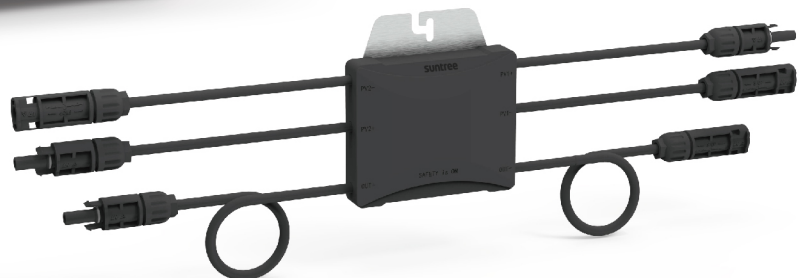


DC RAPID SHUTDOWN SWITCH

Technology
Connects human and nature



www.chinasuntree.com



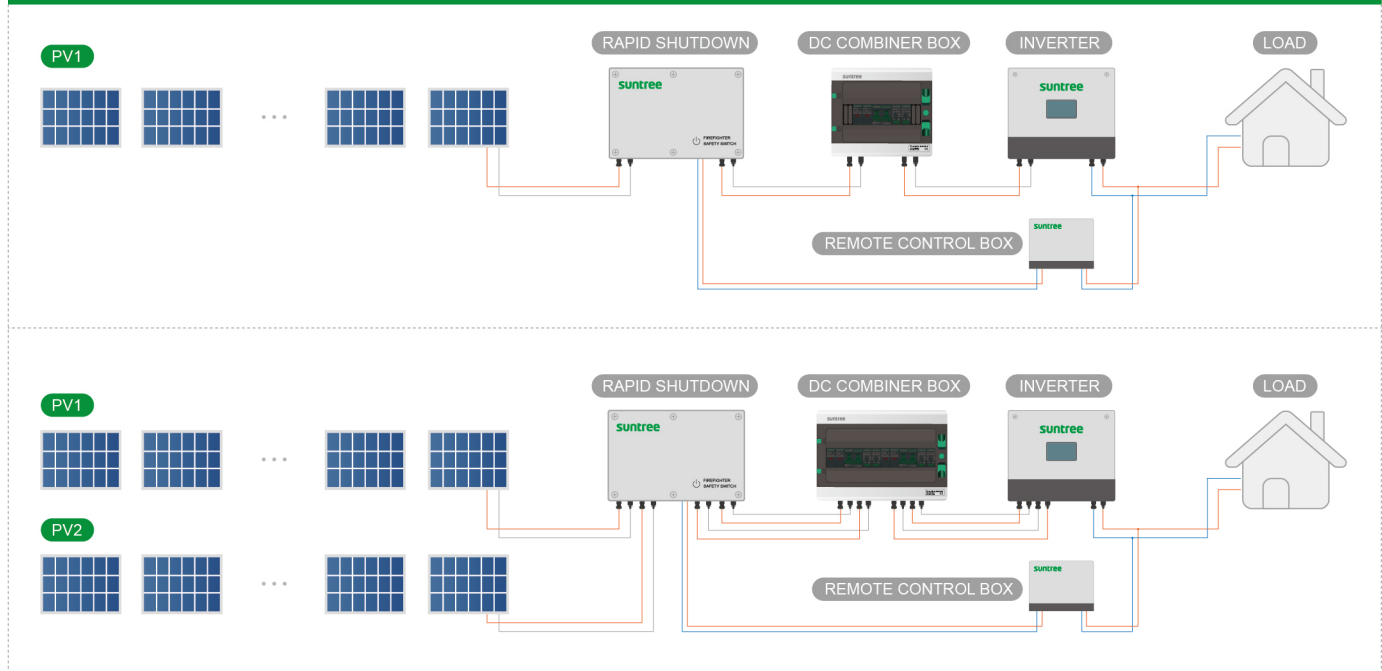
MODEL AND SIGNIFICANCE

S	-	ISO	/	40	-	N
Enterprise code		Design Code		Max voltage 1500V		Max current 40A
						Number of strings 1,2,3,4,5,6,7,8,9,10

FEATURE

- 1~10 STRINGS AVAILABLE
- APP REMOTE CONTROL
- UP TO 40A
- SHUTDOWN FEEDBACK SIGNAL
- UP TO 1500V
- AUTO SHUTDOWN EXCEEDING 70°C
- CE CERTIFICATION
- 10000 MECHANICAL LIFE CYCLES
- IP65 PROTECTION & ANTI UV
- LSOLATOR WITH CE,CB,TUV,SAA

WIRING DIAGRAM



RAPID SHUTDOWN

- S-ISOH-40-1
- S-ISOH-40-2

ELECTRICAL TECHNICAL REFERENCE

Model	S-ISOH-40-1	S-ISOH-40-2
<i>MAIN LOOP PARAMETERS</i>		
Number of strings	1	2
Max DC voltage	1500 Vdc	
Max DC current	40 A	
Parameters	1500V26A,1000V40A,600V40A	
DC connector	MC4	
<i>CONTROL LOOP PARAMETERS</i>		
Power supply type	AC single phase	
Nominal voltage	230Vac	
Operating voltage	100-270 Vac	
Nominal frequency	50Hz	
Operating frequency	47-53 Hz	
Nominal current	30mA	
Max current	300mA	
AC connector	Plug-in	
<i>PRODUCT PARAMETERS</i>		
Protection degree	IP65	
Protection level	Class II	
Certification	CE	
Switch according to	EN 60947-3	
Number of operations	>10000	
N. of operations under load	>1500	
Operating temperature	-20°C~ 70°C	
Temperature sensor trigger	70°C	
Warranty	5 years	
Dimensions (L*W*H)	265 * 280 * 115	
Weight	2950 g	3130 g

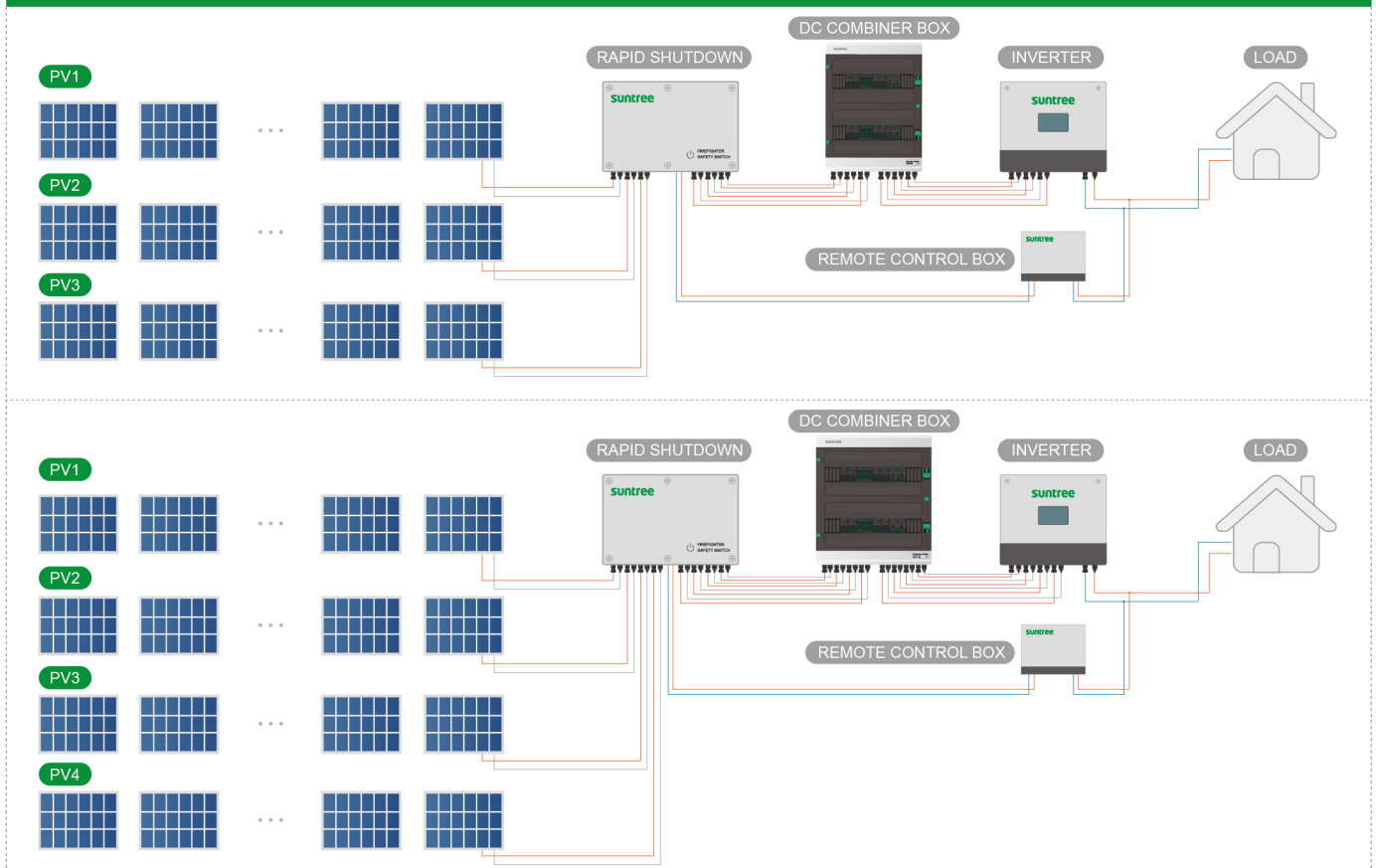
MODEL AND SIGNIFICANCE

S	-	ISO	/	40	-	N
Enterprise code		Design Code		Max current 40A		Number of strings 1,2,3,4,5,6,7,8,9,10

FEATURE

- 1~10 STRINGS AVAILABLE
- APP REMOTE CONTROL
- UP TO 40A
- SHUTDOWN FEEDBACK SIGNAL
- UP TO 1500V
- AUTO SHUTDOWN EXCEEDING 70°C
- CE CERTIFICATION
- 10000 MECHANICAL LIFE CYCLES
- IP65 PROTECTION & ANTI UV
- LSOLATOR WITH CE,CB,TUV,SAA

WIRING DIAGRAM



RAPID SHUTDOWN

- S-ISOH-40-3
- S-ISOH-40-4

ELECTRICAL TECHNICAL REFERENCE

Model	S-ISOH-40-3	S-ISOH-40-4
<i>MAIN LOOP PARAMETERS</i>		
Number of strings	3	4
Max DC voltage	1500 Vdc	
Max DC current	40 A	
Parameters	1500V26A,1000V40A,600V40A	
DC connector	MC4	
<i>CONTROL LOOP PARAMETERS</i>		
Power supply type	AC single phase	
Nominal voltage	230Vac	
Operating voltage	100-270 Vac	
Nominal frequency	50Hz	
Operating frequency	47-53 Hz	
Nominal current	30mA	
Max current	300mA	
AC connector	Plug-in	
<i>PRODUCT PARAMETERS</i>		
Protection degree	IP65	
Protection level	Class II	
Certification	CE	
Switch according to	EN 60947-3	
Number of operations	>10000	
N. of operations under load	>1500	
Operating temperature	-20°C~ 70°C	
Temperature sensor trigger	70°C	
Warranty	5 years	
Dimensions (L*W*H)	300 * 280 *115	350 * 280 *115
Weight	3440 g	3950 g

ELECTRICAL TECHNICAL REFERENCE

Model	S-ISOH-40-5	S-ISOH-40-6
<i>MAIN LOOP PARAMETERS</i>		
Number of strings	5	6
Max DC voltage	1500 Vdc	
Max DC current	40 A	
Parameters	1500V26A,1000V40A,600V40A	
DC connector	MC4	
<i>CONTROL LOOP PARAMETERS</i>		
Power supply type	AC single phase	
Nominal voltage	230Vac	
Operating voltage	100-270 Vac	
Nominal frequency	50Hz	
Operating frequency	47-53 Hz	
Nominal current	30mA	
Max current	300mA	
AC connector	Plug-in	
<i>PRODUCT PARAMETERS</i>		
Protection degree	IP65	
Protection level	Class II	
Certification	CE	
Switch according to	EN 60947-3	
Number of operations	>10000	
N. of operations under load	>1500	
Operating temperature	-20°C~ 70°C	
Temperature sensor trigger	70°C	
Warranty	5 years	
Dimensions (L*W*H)	348 * 270 *137	348 * 270 *137
Weight	4700 g	5200 g

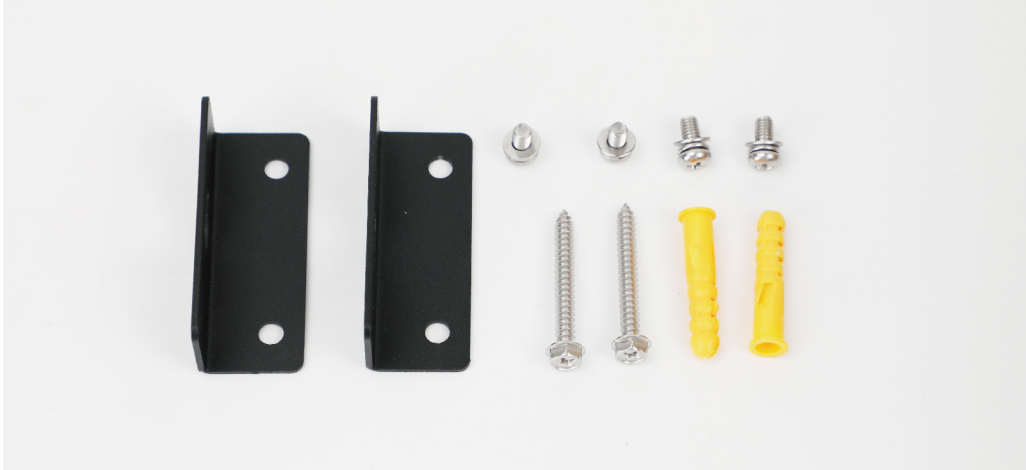
ELECTRICAL TECHNICAL REFERENCE

Model	S-ISOH-40-7	S-ISOH-40-8
<i>MAIN LOOP PARAMETERS</i>		
Number of strings	7	8
Max DC voltage	1500 Vdc	
Max DC current	40 A	
Parameters	1500V26A,1000V40A,600V40A	
DC connector	MC4	
<i>CONTROL LOOP PARAMETERS</i>		
Power supply type	AC single phase	
Nominal voltage	230Vac	
Operating voltage	100-270 Vac	
Nominal frequency	50Hz	
Operating frequency	47-53 Hz	
Nominal current	30mA	
Max current	300mA	
AC connector	Plug-in	
<i>PRODUCT PARAMETERS</i>		
Protection degree	IP65	
Protection level	Class II	
Certification	CE	
Switch according to	EN 60947-3	
Number of operations	>10000	
N. of operations under load	>1500	
Operating temperature	-20°C~ 70°C	
Temperature sensor trigger	70°C	
Warranty	5 years	
Dimensions (L*W*H)	348 * 330 *173	348 * 330 *173
Weight	5800 g	6300 g

ELECTRICAL TECHNICAL REFERENCE

Model	S-ISOH-40-9	S-ISOH-40-10
<i>MAIN LOOP PARAMETERS</i>		
Number of strings	9	10
Max DC voltage	1500 Vdc	
Max DC current	40 A	
Parameters	1500V26A,1000V40A,600V40A	
DC connector	MC4	
<i>CONTROL LOOP PARAMETERS</i>		
Power supply type	AC single phase	
Nominal voltage	230Vac	
Operating voltage	100-270 Vac	
Nominal frequency	50Hz	
Operating frequency	47-53 Hz	
Nominal current	30mA	
Max current	300mA	
AC connector	Plug-in	
<i>PRODUCT PARAMETERS</i>		
Protection degree	IP65	
Protection level	Class II	
Certification	CE	
Switch according to	EN 60947-3	
Number of operations	>10000	
N. of operations under load	>1500	
Operating temperature	-20°C~ 70°C	
Temperature sensor trigger	70°C	
Warranty	5 years	
Dimensions (L*W*H)	348 * 330 *195	348 * 330 *195
Weight	6500 g	7000 g

MOUNTING ACCESSORIES



PV CONNECTOR



DC RAPID SHUTDOWN SWITCH

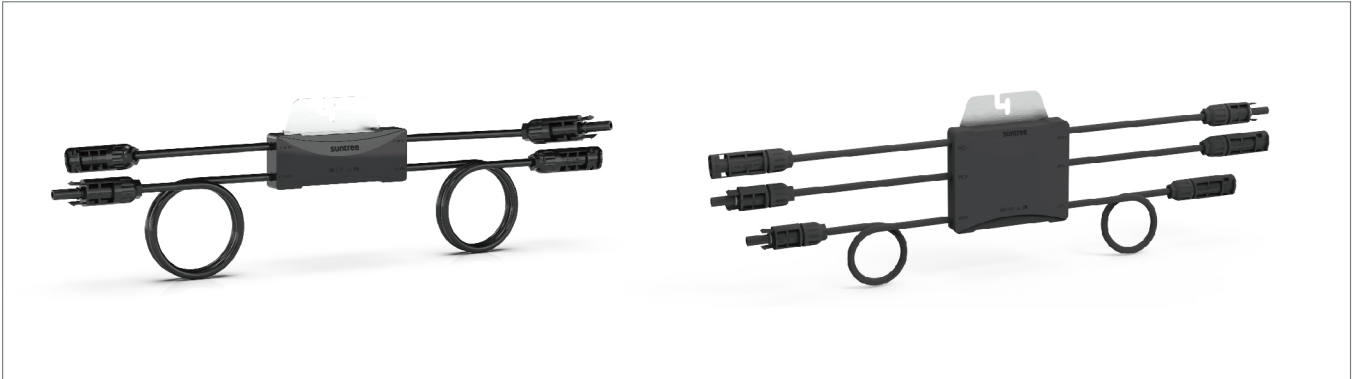
ERP SERIES



SELECT CODE

S	KS	—	15	/	Z	/	<input type="checkbox"/>	/	<input type="checkbox"/>	/	<input type="checkbox"/>
Company Code	PV switch-disconnectors		Design No		Components		Current:15A/21A		Specification One in one out / Y Two in one out / E		Installation method Screw type / L Snap type / K

EXAMPLE
SUNTREE RAPID SHUTDOWN COMPONENTS15A 1/1 SNAP TYPE



SHUTDOWN WHILE AMBIENT TEMPERATURE IS OVER 85°C



SLIM SIZE MATCH MODULE PERFECTLY



FLAME RETARDANT RATING: UL94-V0



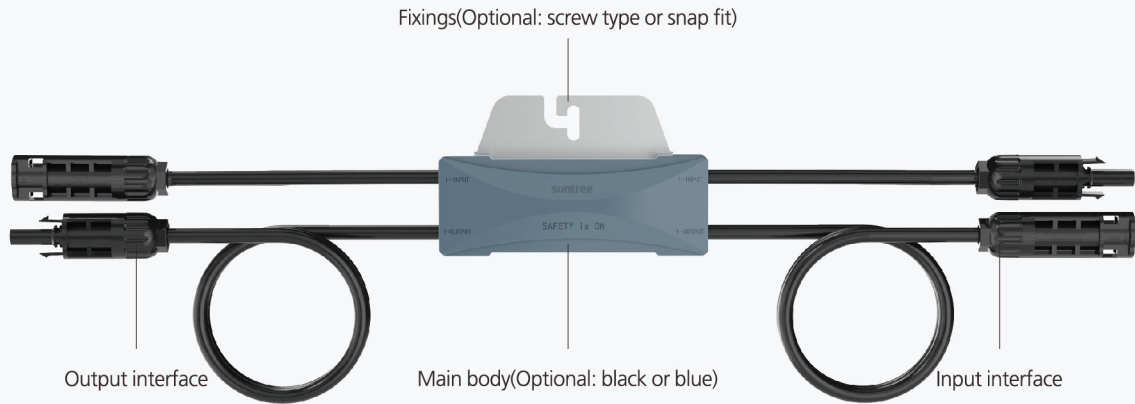
PROTECTION LEVEL: IP68

SHUTDOWN MODE

AUTOMATIC SHUTDOWN	MANUAL SHUTDOWN	MANUAL SHUTDOWN
<p>Automatically shutdown the DC power of panels when detecting temperature of the area is higher than 85°C.</p>	<p>In an emergency, firefighters or homeowners can manually turn off the AC power of the distribution box.</p>	<p>In an emergency, it can be shut down manually through the Panel Level Rapid Shutdown Controller Box.</p>

PRODUCT INTRODUCTION

PRODUCT DETAILS



MAIN BODY COLORS



Optional: ■ blue



Optional: ■ black

PRODUCT BACK



Optional: screw type



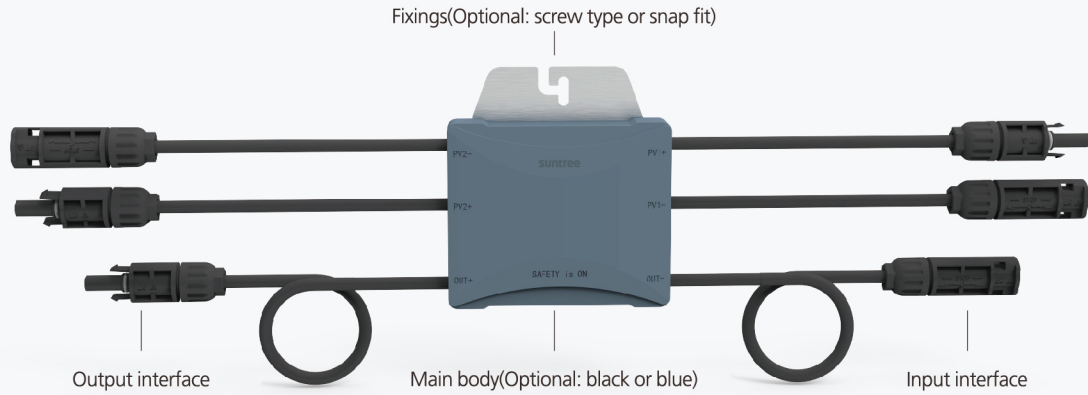
Optional: clip type

MAIN PARAMETERS

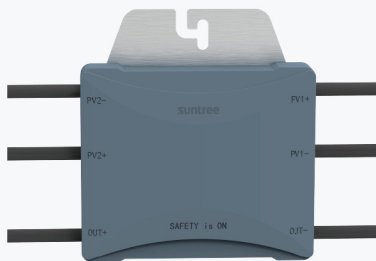
Standard	Data
Maximum Allowed Input Voltage	80V
Maximum Output Voltage	80V
Number of connectable panels	1/2
Maximum input current	15A/21A
Maximum short circuit current	15A/21A
Maximum system voltage	1000V(1500 optional)
Operating temperature	Negative 30-80°C (automatically shut down if over 85°C)
Operating environment temperature	Negative 30°C~+55°C
Supply voltage	PV panels
Protection level	IP68
Fire-proof level	UL94-V0
Humidity	0%~90% at 20°C
Interface	MC4
Warranty	10 Years
Panel cable length	280+10mm
String cable length	1280+10mm
Communication	PLC
Standards compliant	UL 1741/NEC 2017 690.12

PRODUCT INTRODUCTION

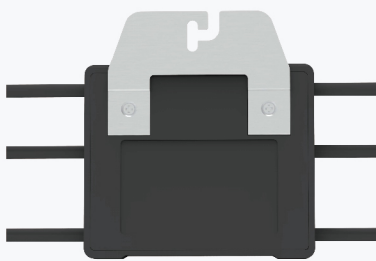
PRODUCT DETAILS



MAIN BODY COLORS



PRODUCT BACK

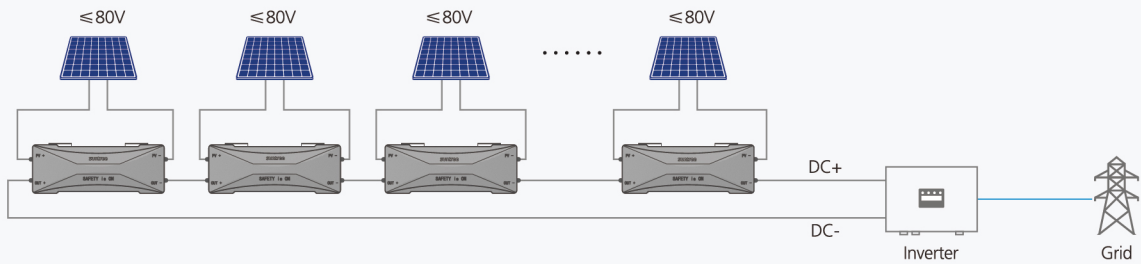


MAIN PARAMETERS

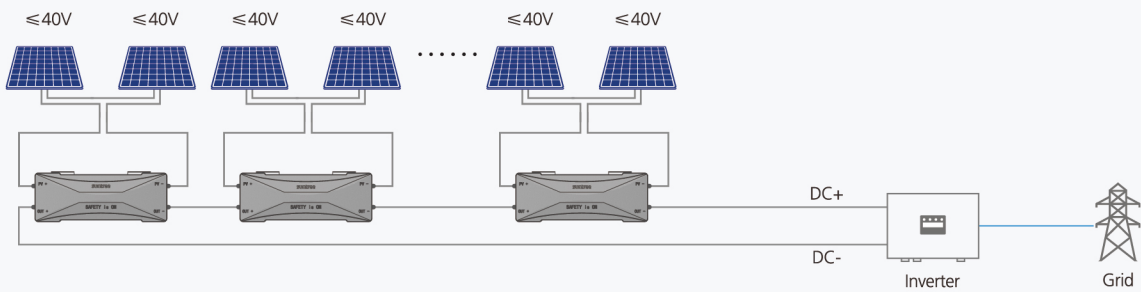
Standard	Data
Maximum Allowed Input Voltage	160V
Maximum Output Voltage	160V
Number of connectable panels	1/2
Maximum input current	15A/21A
Maximum short circuit current	15A/21A
Maximum system voltage	1000V(1500 optional)
Operating temperature	Negative 30-80°C (automatically shut down if over 85°C)
Operating environment temperature	Negative 30°C~+55°C
Supply voltage	PV panels
Protection level	IP68
Fire-proof level	UL94-V0
Humidity	0%~90% at 20°C
Interface	MC4
Warranty	10 Years
Panel cable length	280+10mm
String cable length	1280+10mm
Communication	PLC
Standards compliant	UL 1741/NEC 2017 690.12

THE INVERTER CONTAINS SUNSPEC

When the open-circuit voltage of PV panel is below 80V

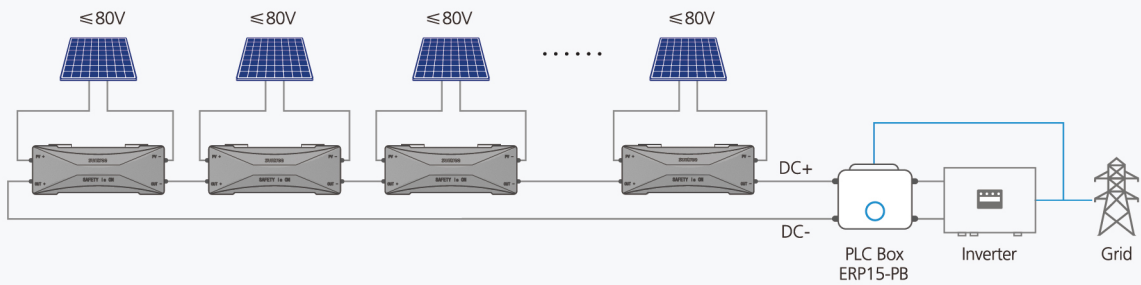


And When the open-circuit voltage of PV panel is below 40V.

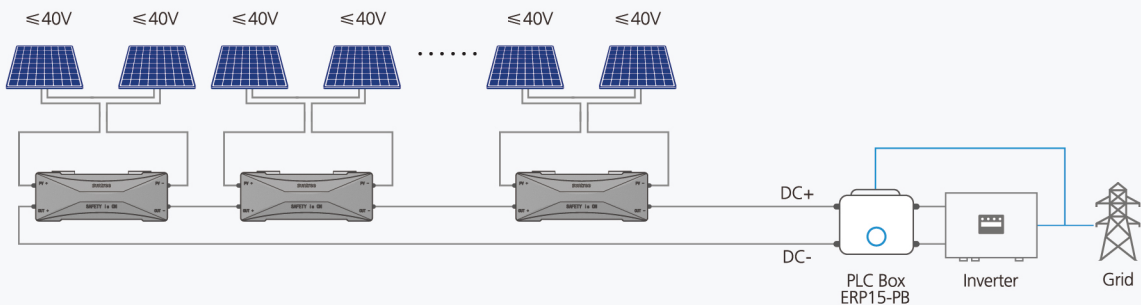


THE INVERTER DOES NOT CONTAIN SUNSPEC

When the open-circuit voltage of PV panel is below 80V

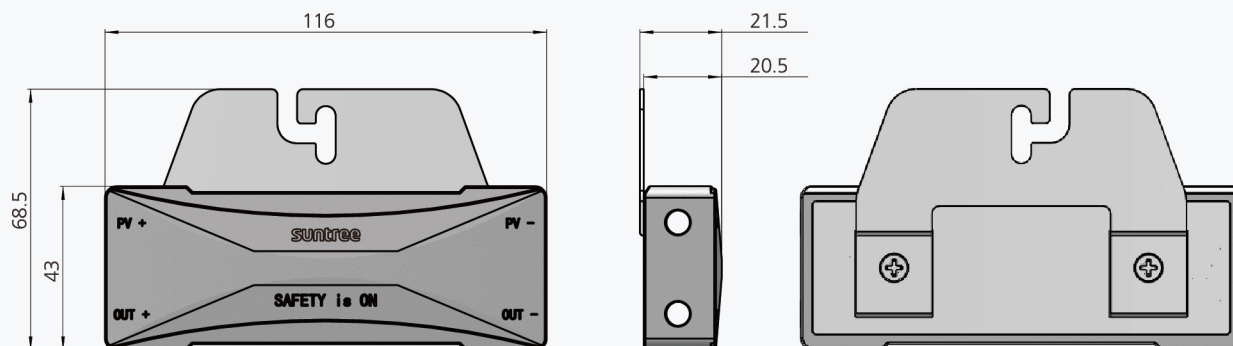


And When the open-circuit voltage of PV panel is below 40V

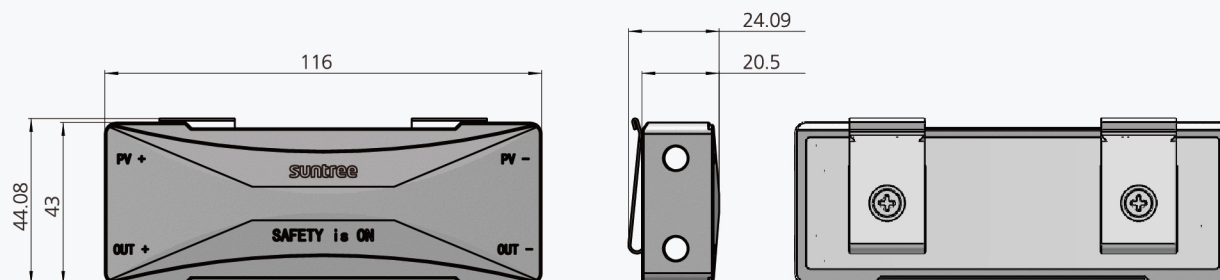


DIMENSIONS

SCREW TYPE

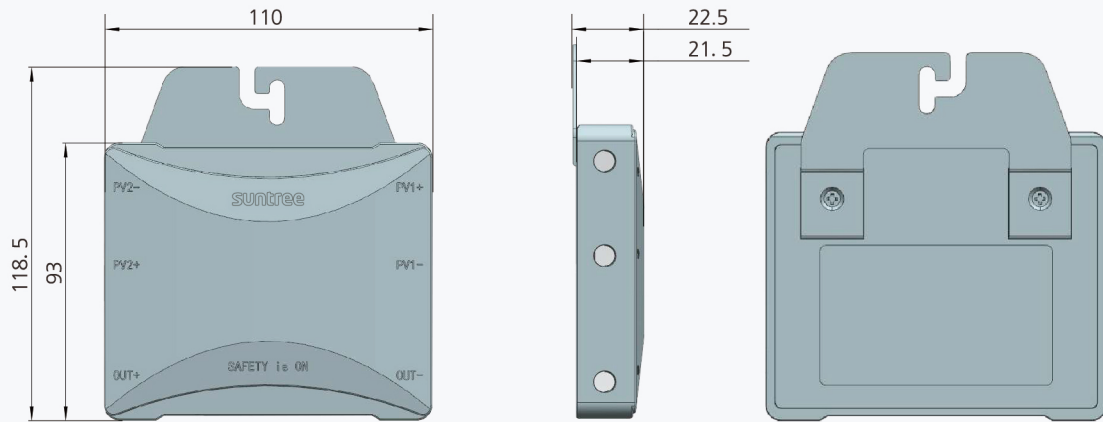


CLIP TYPE

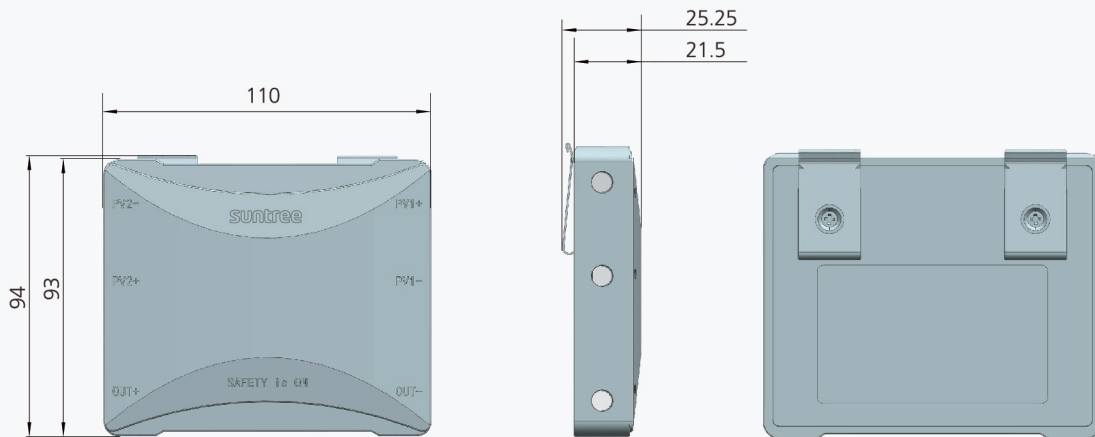


DIMENSIONS

SCREW TYPE




CLIP TYPE





 Add: Xinguang Industrial Zone, Liushi, Yueqing Zhejiang China

 Tel: +86-577-62890205

 E-mail: tony@chinasuntree.com

 www.chinasuntree.com